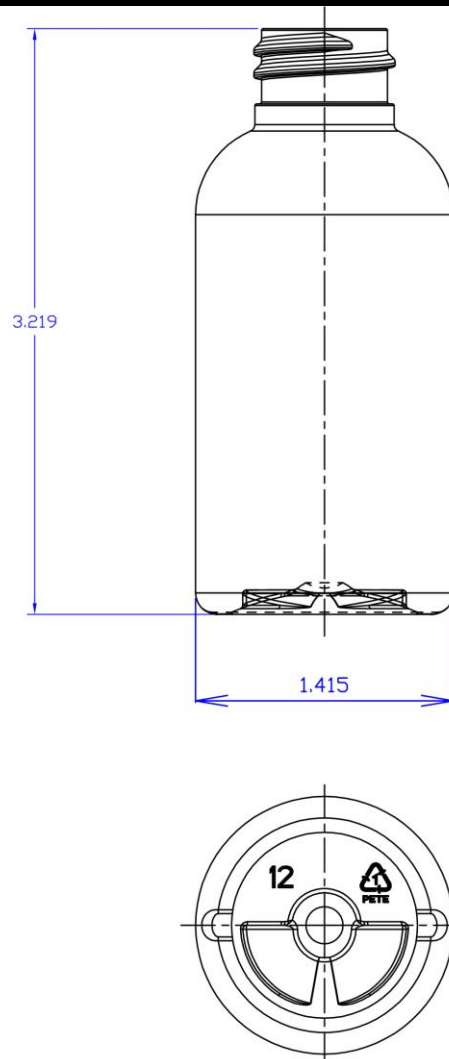


Date Created: 6/1/23

Bottle Data Sheet

2oz PET Boston Round



ARCH # 025114-0300 / 025114-XXXX
MOLD # N95091 (5 Cavity), K63161 (12 Cavity)
RESIN & COLORANT: FDA COMPLIANT
OVERFLOW CAPACITY: 61.6 ± 3ml
HEIGHT: 3.219 ± 0.039 Inch
WEIGHT: 9.25 ± 0.8g
DIAMETER: 1.415 ± 0.039 Inch
NECK FINISH: M20SP410

BOTTLE PER BOX: 1,200
BOTTLE PER PALLET: 24,000
BOTTLE PER 53' TRUCK: 648,000
PALLET WEIGHT: 602 lbs
STOCK COLORS: Clear, Amber, White